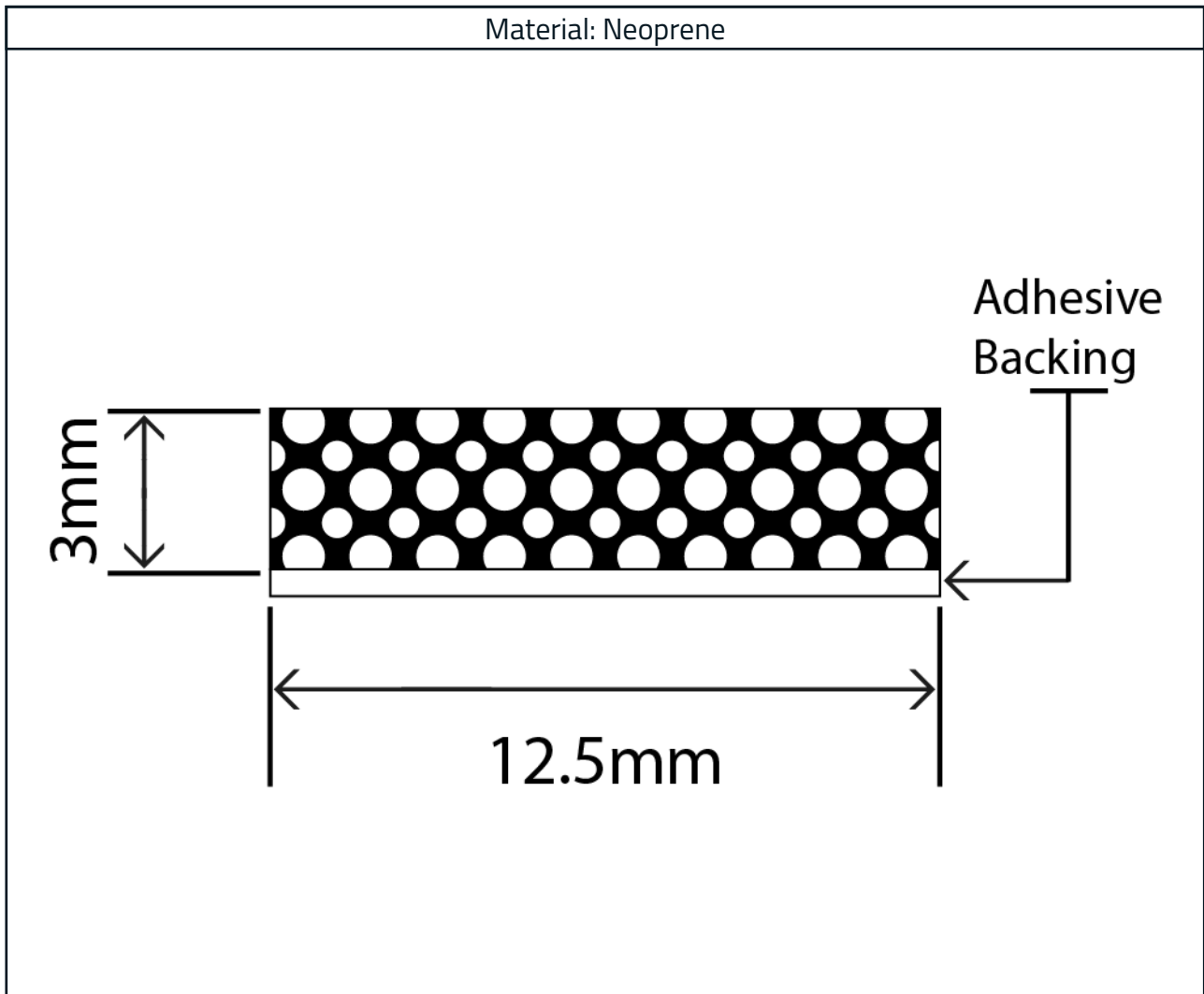


Neoprene Sponge Strip 12.5mm x 3mm

Product Code: RC1101-CR-12.5X3



Measurements:

Height	Width
3mm	12.5mm

The information contained on this product information sheet is to be used as guidance. The advice is given in good faith and does not constitute any guarantee or recommendation for suitability. RubberSmart cannot be held liable for any damage caused by incorrect installation. We hereby reserve the right to change the technical information herewith without notification or prior agreement.

Material Specification

Properties	Values
Composition	Neoprene Sponge (CR)
Density	110 - 130 kg/m ³
Hardness (Shore OO)	40° - 45°
Tensile Strength	7.4 kg/cm ²
Elongation at Break	>200%
Compressive Deflection 25%	40 Kpa
Water Absorption	< 5% Vol
Flame Resistance (FMVSS302 UL94 HF1)	Self Extinguishing
Working Temperature Range	-26° C
Environmental Protection	CFC & HCFC free



The information contained on this product information sheet is to be used as guidance. The advice is given in good faith and does not constitute any guarantee or recommendation for suitability. RubberSmart cannot be held liable for any damage caused by incorrect installation. We hereby reserve the right to change the technical information herewith without notification or prior agreement.