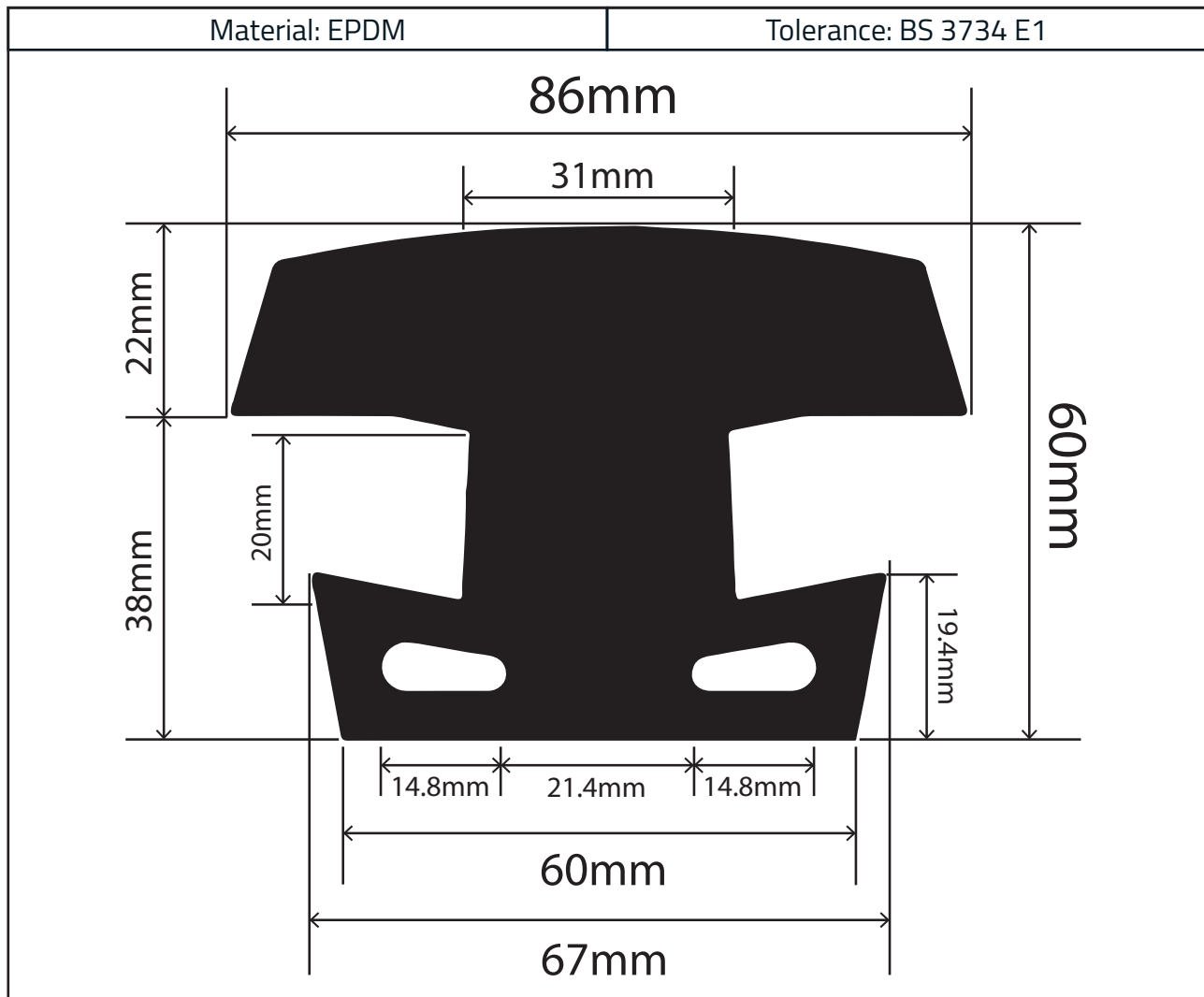


## EPDM Rubber Brick Grab - 86mm x 60mm x 1m

Product Code: RC01117-6222



### Measurements:

Height	Width
60mm	86mm

The information contained on this product information sheet is to be used as guidance. The advice is given in good faith and does not constitute any guarantee or recommendation for suitability. RubberSmart cannot be held liable for any damage caused by incorrect installation. We hereby reserve the right to change the technical information herewith without notification or prior agreement.

## Technical Data

Property	Value
Hardness (Shore A)	80±5
Tensile Strength	7.5 MPa
Elongation at Break	300%
Tear Resistance	8 N/mm
Compression Set (22hrs @ 70°C)	max 35%
<b>Air Aged (70hrs @ 100°C)</b>	
Change in Hardness	+3°
Change in Tensile Strength	+5%
Change in Elongation at Break	-35%

The information contained on this product information sheet is to be used as guidance. The advice is given in good faith and does not constitute any guarantee or recommendation for suitability. RubberSmart cannot be held liable for any damage caused by incorrect installation. We hereby reserve the right to change the technical information herewith without notification or prior agreement.